





# 500 Series

**Mueller SYSTEMS**

Compteur d'eau 500 à déplacement positif (PD)  
Tailles 1-1/2" & 2"

500 Series

Ref No.	Description	Matériaux	Modèle 562 1-1/2"	Modèle 572 2"
1	Visual Register	US Gallons	D357715	D358115
		CF	D357725	D358125
	Translator Register*	US Gallons	D35791xxx	D35831xxx
		CF	D35792xxx	D35832xxx
Specify Electronic Reading Value 4, 5, or 6 Wheel				
2	Complete Register Housing Assembly Includes parts 3-7	Plastic	B7856	B7856
		Bronze	B7857	B7857
3	Register Cover	Plastic	C5768	C5768
		Bronze	C5774	C5774
4	Spirol Pin	Plastic cover: SST	AS41122	AS41122
		Bronze Cover: SST	AS41123	AS41123
5	Register Housing Base	Plastic	C5769	C5769
		Bronze	C5772	C5772
6	Register Housing Insert	Plastic	C5770	C5770
7	Register Locking Pin	Blue Colored Plastic	A12658	A12658
		Brass Colored Plastic	A126581	A126581
8**	Top Case 2 Bolt Flange			
	Top Case 2 Bolt Flange	Low Lead Bronze	D3546SI	D3550SI
9**	Case Bolts for 2 Bolt Flange Units	SST	90026 (qty 6)	90010 (qty 8)
10	O-ring Case Seal	Rubber	A130206	A130207
11	Top Chamber Assembly		D3275ASSY	D3277ASSY
12	Chamber Retainer	Plastic	C5466	C5466
13	O-ring Chamber Seal	Ruber	A130204	A130205
14	Thrust Roller	SST	A12781	B8024
15	Wear Plate	SST	B8026	B8025
16	Disk Assembly	Plastic/SST	B8067	B8068
17	Bottom Chamber	Plastic	D3274	D3276
18	Chamber Assy Replacement Kit (incl. 10-17)		D3575	D3576
19	Strainer	Plastic	C6576	C6577
20	Test Plug			
		Low Lead Bronze	59008SI	59008SI
		SST	59013	59013
21	Bottom Case 2 Bolt Flange			
	Bottom Case 2 Bolt Flange	Low Lead Bronze – test port	D35481SI	D35521SI

Call Mueller Systems Customer Service for Appropriate Translator Register and AMR Device part number

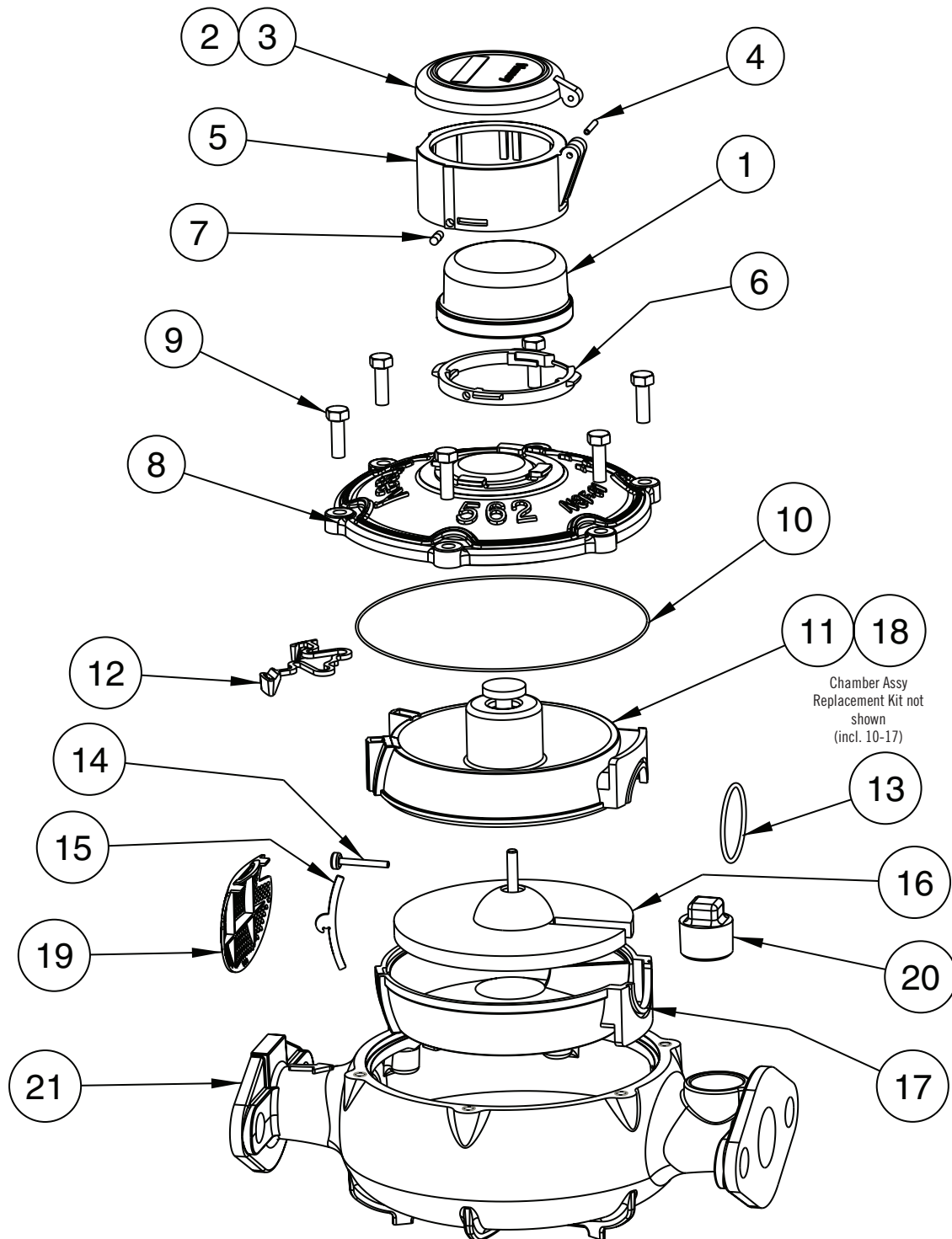
\*Not shown.

# 500 Series

**Mueller** SYSTEMS

Compteur d'eau 500 à déplacement positif (PD)  
Modèles 562 et 572

500 Series



This page intentionally left blank.